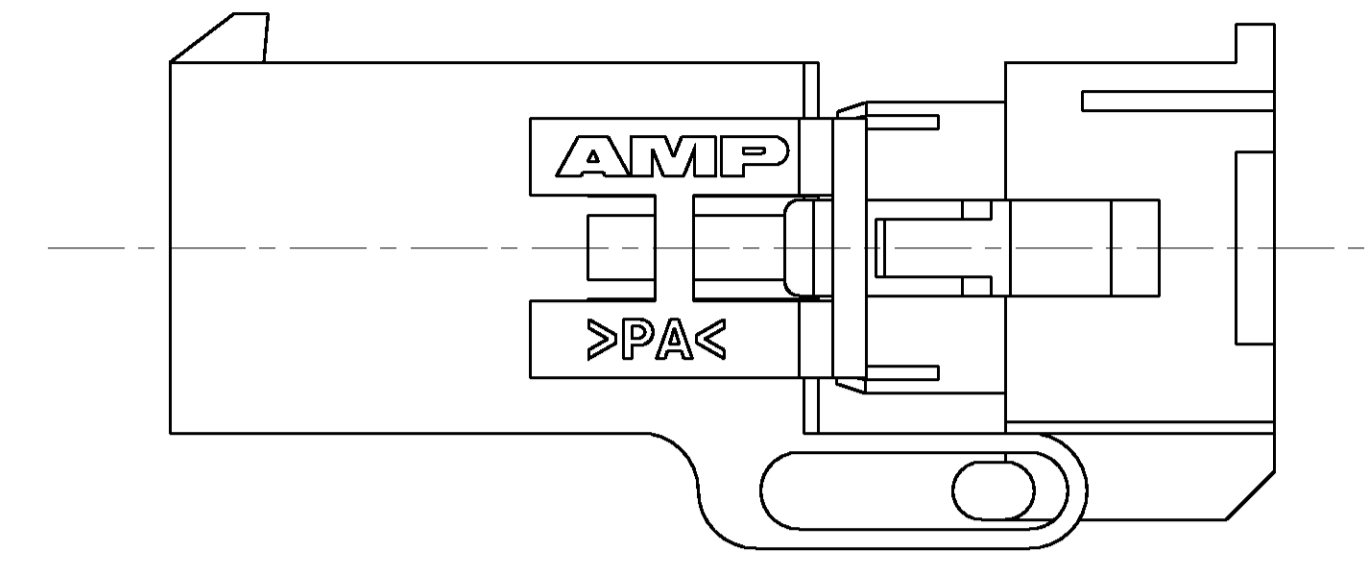
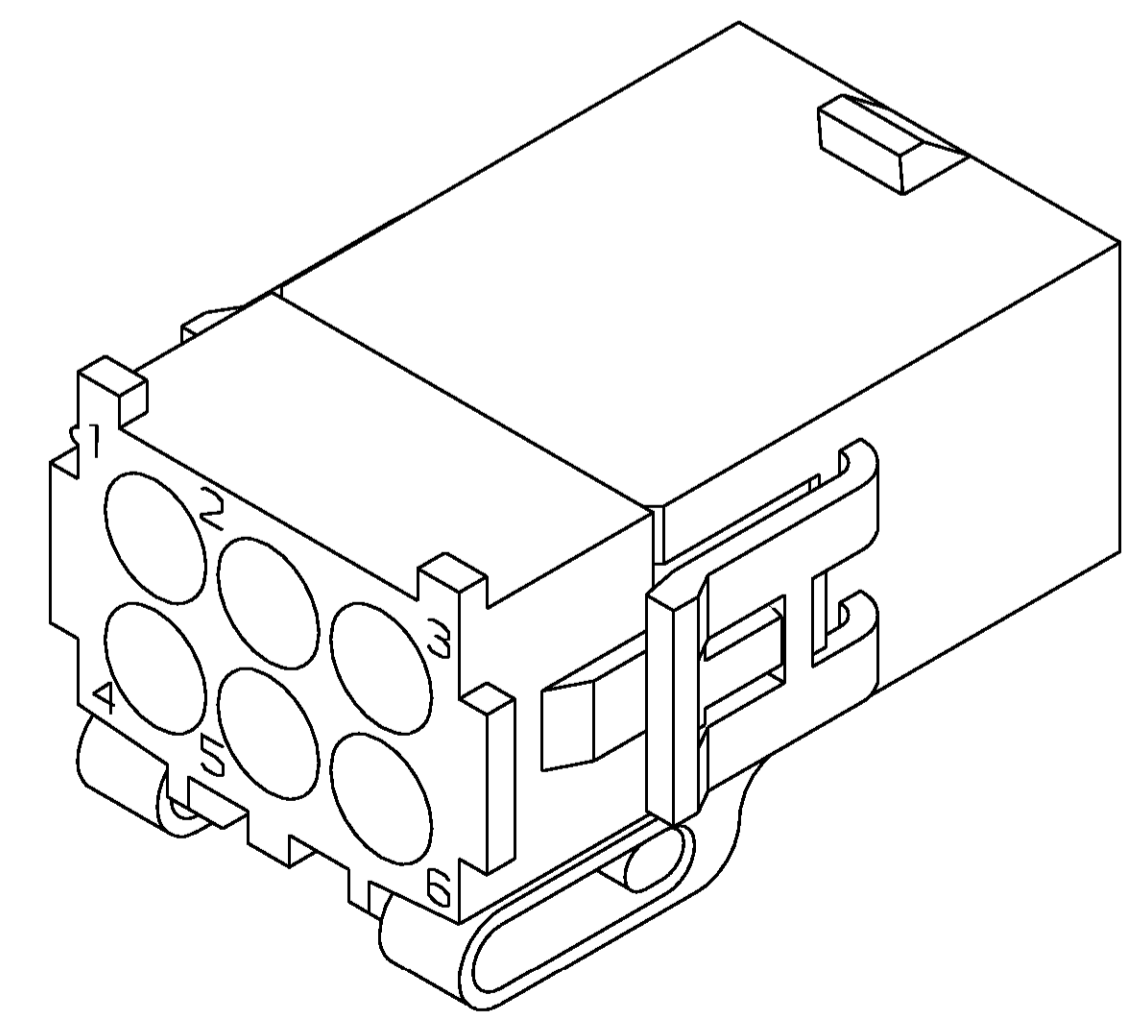
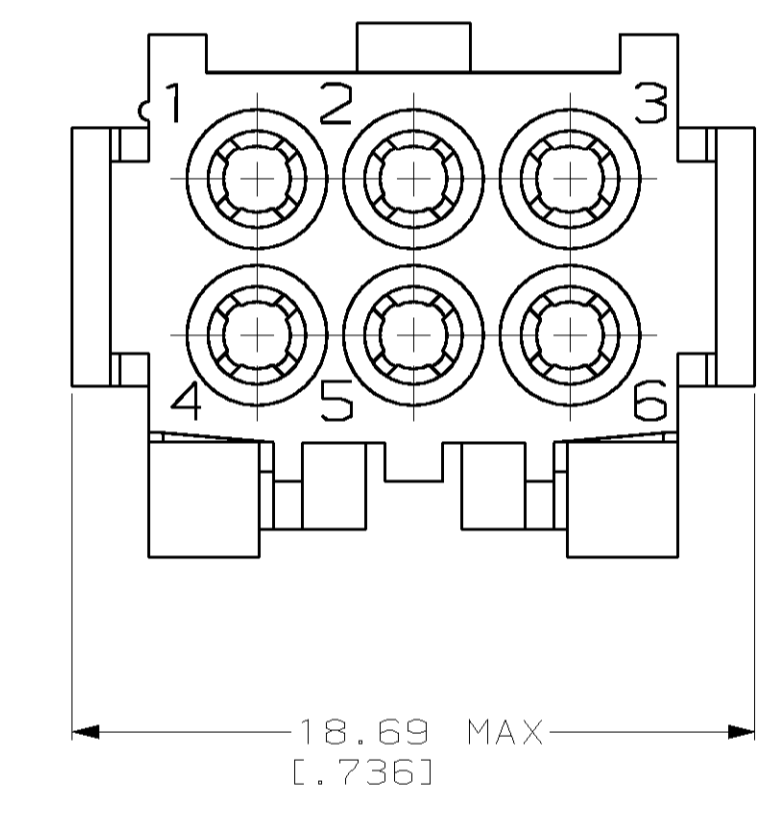
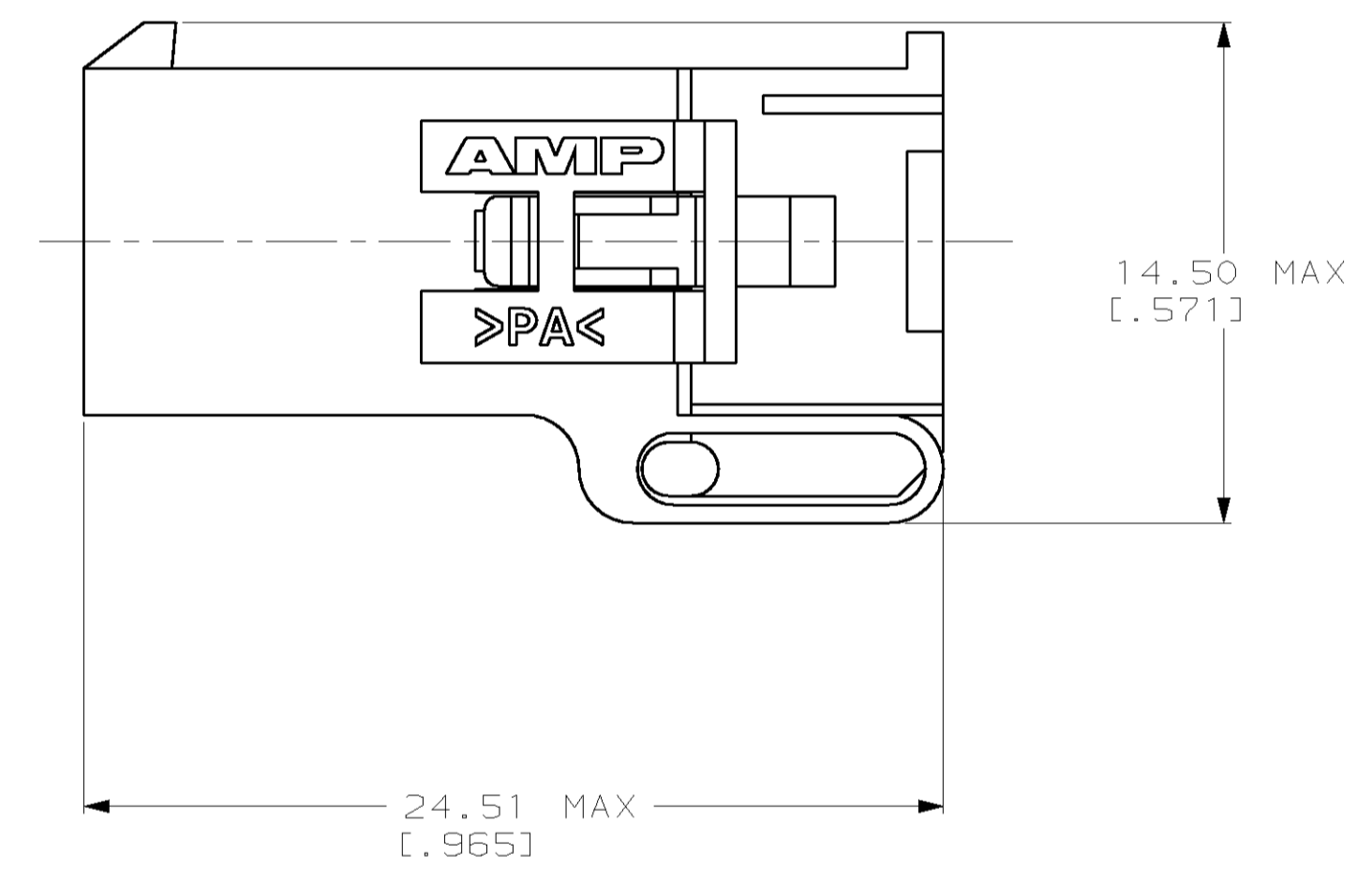
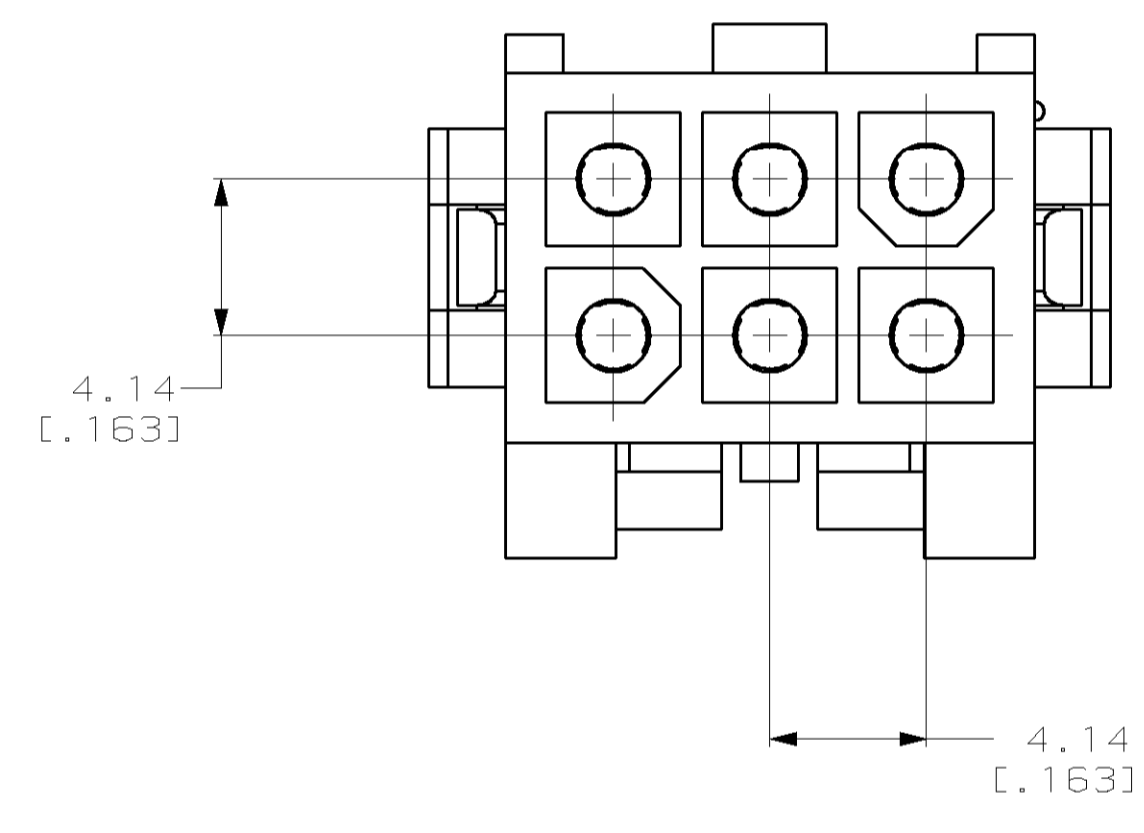


LOC		DIST		REVISIONS				
F	CHR	DATE	OWN	APVD	DESCRIPTION	DATE	OWN	APVD
B		23-SEP-99	KW	KC	REV PER EC 061B-0094-99			



PRE-STAGED CONDITION

1. DIMENSIONS IN BRACKETS ARE IN INCHES.



3-DIMENSIONAL MODEL  
NTS

794191-1  
PART NUMBER



THIS DRAWING IS A CONTROLLED DOCUMENT.		DWN K. WHITAKER	5-12-97	AMP Incorporated Harrisburg, PA 17105-3608
DIMENSIONS:		CHK R. SWING	5-12-97	
TOLERANCES UNLESS OTHERWISE SPECIFIED:		APVD S. ORSTAD	5-12-97	NAME CAP
0 PLC	±	PRODUCT SPEC		6 CIRCUIT, MINI UNIVERSAL
1 PLC	±	APPLICATION SPEC		MATE-N-LOK™ 2
2 PLC	±	MATERIAL		NYLON, UL 94V-0, NATURAL
3 PLC	±0.13 (.005)	FINISH		-
4 PLC	±	WEIGHT		-
5 PLC	±	CUSTOMER DRAWING		A1 00779 C-794191
6 INCHES	±	SCALE		5:1
RESTRICTED TO		SHEET		1 OF 1
REV		REV		B